



DATA SCALE
AUTOMATED LIQUID FILLING SYSTEMS

42430 Blacow Road, Fremont, CA 94539
(510) 651-7350 www.DataScale.com

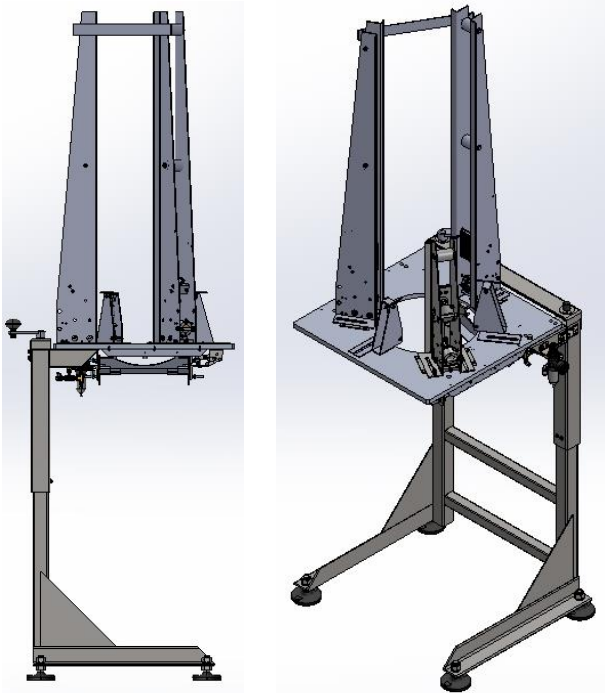
Automatic Lid Placer

Container Size- 2-1/2 to 7-gallon Pails

Pneumatic Requirements- 80 to 110 P.S.I. - 3 C.F.M. @ 35 to 105 degrees F

Output- 25 per Minute Maximum

Electrical Requirements- Not Required

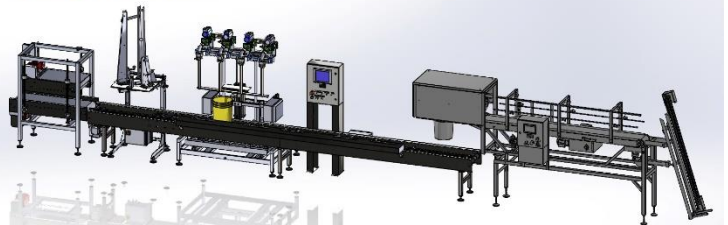


LID PLACER

Automatically places plastic lids onto pails.
Continuous motion. Manual lid magazine.

Available Options

- Harsh Environment package
- Stainless Steel Upgrade
- Ability to Place multiple sized lids
- Square Lids
- UV Sanitizing
- Bung Orientation



Roll Through Lid Press - Lid Placer -504 IL – De Nester

Fully Automated System For all Types of Products and Containers
Feel Free to check out our Web Site for more information on our filling solutions <https://www.Datascale.com/>



Pick N' Place Lid Placer

Data Scale's Lid Placer cuts costs and increases efficiency by eliminating the need to manually pry, pick, position, and place lids on pails. Operating at speeds up to 80 lids/minute the Data Scale Lid Placer adjusts to handle a wide variety of different size and shape containers. The Data Scale Lid Placer integrates with our high-speed Roll Through Lid Press for optimum throughput and minimal labor.

Since 1973, Data Scale has been the industry leader in liquid net weight filling equipment for food and chemical industries. Data Scale is the oldest continually owned and operated manufacturer of liquid net weight drum & pail filling equipment in North America. Data Scale can provide application system integration, providing innovative real-world solutions for your liquid filling and automation needs.



Data Scale is a winner of the prestigious Vaaler Award, given by the Chemical Processing Industry, for innovative product design.



Leading companies.
Leading solutions.

PMMI members are globally renowned for making the highest quality equipment, offering responsive service and committing to meeting their customers' needs. That is why one out of every four machines sold around the world is made by a PMMI member company